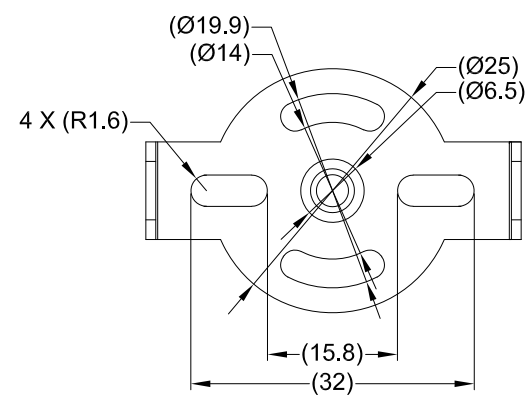
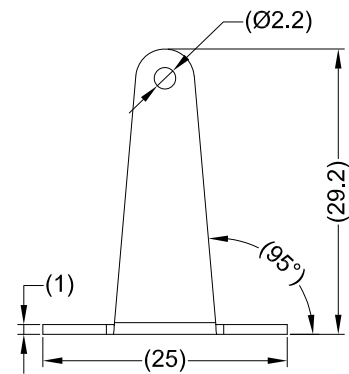
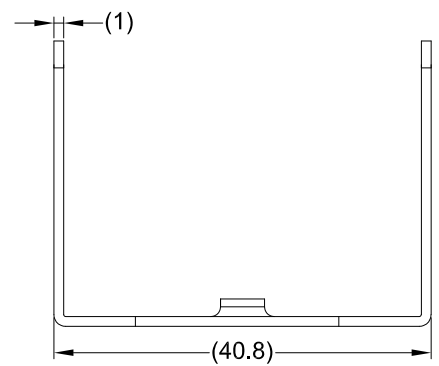
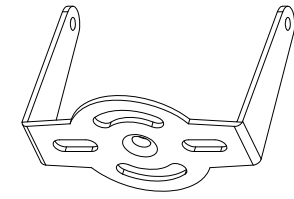


Revision Notes.				
R1 -				
APA: -	Drawn:-	Checked:-	Approved:-	Date: -



**NOTES:**  
 1. FINISH: BLACK.  
 2. MATERIAL: STEEL 1.0T

**PROPRIETARY NOTICE**  
 THIS DESIGN AND TECHNICAL INFORMATION APPEARING ON THIS DRAWING IS THE PROPERTY OF BRIGADE ELECTRONICS, AND IS DISCLOSED IN CONFIDENCE. IT IS NOT TO BE COPIED, REPRODUCED, REVEALED TO OR EXPROPRIATED BY OTHERS, EITHER IN WHOLE OR IN PART WITHOUT THE EXPRESS WRITTEN CONSENT OF BRIGADE ELECTRONICS.

**BRIGADE®**

Assembly Pl Approval CATHY ZHANG	Approved by B.JOHN	Checked by R.BATES	Drawn by M.BUTLER
Angle of Projection	Units mm	Scale N/A	Released 23/09/17
Third Angle	Status RELEASED	Assembly Ref DMC-10XX-BKT	
	Part No 4918	BE-003731-00-17	